

Handling System Sorting Table Right to Left, Side Connection, 1700x715mm

ITEM # _____

MODEL # _____

NAME # _____

SIS # _____

AIA # _____


865415 (BHSTS170)

Sorting table, side connection, Right>Left, 1700x715 mm

Short Form Specification

Item No. _____

Constructed in 304 AISI stainless steel. N. 4 square 40x40mm square legs with height-adjustable feet. Underframe on three sides.

1-tier over-shelf for baskets. N. 1 waste scrape hole with a rubber ring. Attachment to infill tops or roller conveyor with a deep basin on the side.

Basket direction: from right to left.

Main Features

- The sorting table must be installed together with the pre-wash infill top or roller conveyor with a deep basin on the loading side.
- Equipped with over-shelf and scrape hole for scraping food waste, placing and sorting items all in one table for space saving.

Construction

- All surfaces smooth with polished finish.
- Receiving tabletop with raised side edges all-round, reduces the possibility of crockery being pushed off the table.
- Constructed in AISI 304 stainless steel with square 40x40mm legs.
- Sorting table provided with an over-shelf for dishwashing racks which can be inclined at either the dishwashing or receiving side.
- Connection from side.
- One waste hole with a rubber scrape ring tabletop.
- Optionally equipped with tray slider, scrape plate and shelf for plates/ baskets.

Optional Accessories

- Dish scraper PNC 855297
- Shelf for Plates and baskets, 1700 mm PNC 865376
- Tray slide for sorting table, 1700 mm PNC 865380
- Cutlery chute to install on tray slide PNC 865383
- Floor fastening kit for 2 square legs PNC 865386
- Removable bridge table, 800 mm PNC 865418
- Removable bridge table with hole, 800 mm PNC 865419

APPROVAL: _____

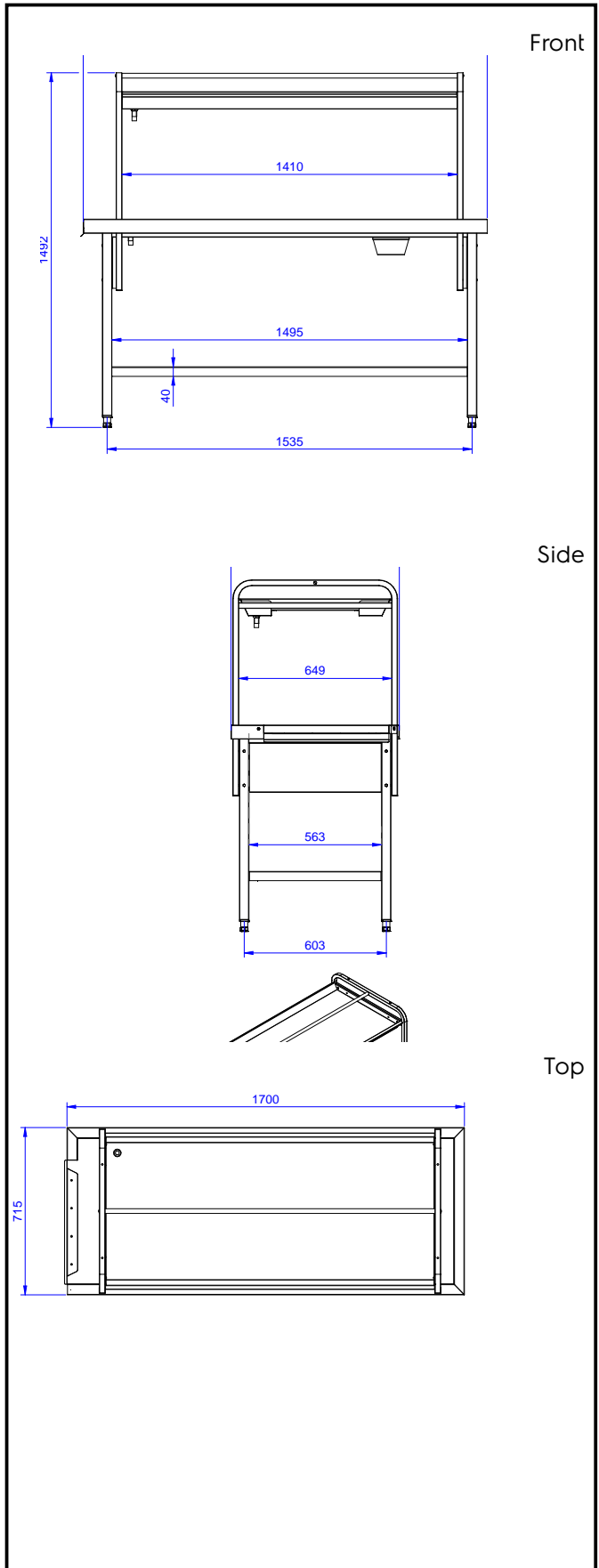


Electrolux
PROFESSIONAL

Handling System Sorting Table Right to Left, Side Connection, 1700x715mm

Key Information:

External dimensions, Width: 1700 mm
865415 (BHSTS170)
External dimensions, Depth: 715 mm
External dimensions, Height: 1551 mm
Net weight: 48 kg



Handling System
Sorting Table Right to Left, Side Connection, 1700x715mm

The company reserves the right to make modifications to the products without prior notice. All information correct at time of printing.

2024.07.03

